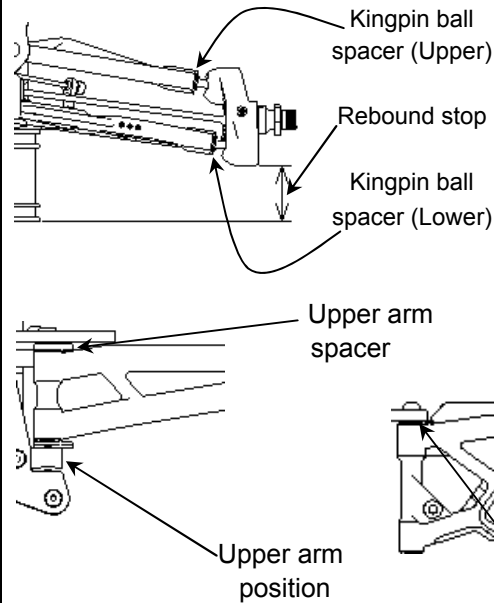


Name: _____
Date: _____
Track: _____

Track Conditions

Size:	<input type="checkbox"/> Open	<input type="checkbox"/> Med.	<input type="checkbox"/> Tight
Traction:	<input type="checkbox"/> High	<input type="checkbox"/> Med.	<input type="checkbox"/> Low
Surface:	<input type="checkbox"/> Smooth	<input type="checkbox"/> Med.	<input type="checkbox"/> Bumpy

Front Suspension



Kingpin ball spacer (Upper) 1 mm
 Kingpin ball spacer (Lower) 1 mm
 Upper arm spacer 2 mm
 Toe angle out 1 °
 Rebound stop _____ mm
 Anti-roll bar φ 2.5 mm

Lower arm mount (Kick up)
 0
 1
 Lower arm plate (E0154A)

 Upper arm position (E0148B, E0148C)

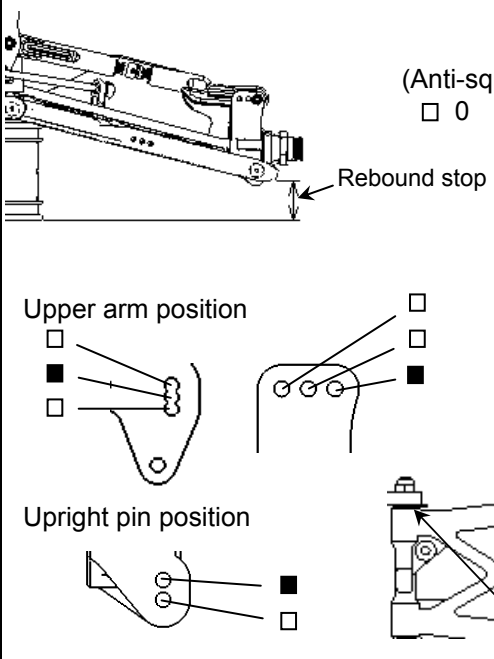
 Lower arm spacer 1 mm

Front Shocks

Piston Stock
 Oil # 400
 Spring L75-10
 Spring adjustment _____ mm
 Shock position

Steering Ackerman

Rear Suspension



Camber angle -2 °
 Lower arm mount (Anti-squat) 0 1
 (Toe angle) 2.75 °
 Rebound stop _____ mm
 Anti-roll bar φ 2.9 mm
 Anti-squat (E0111C, E0111D)

Upright E0152
 E0173 (Aluminium)
 Wheelbase adjustment 2.5 mm
 Lower arm spacer 0 mm

Rear Shocks

Piston Stock
 Oil # 400
 Spring L86-10
 Spring adjustment _____ mm
 Shock position

Wing Position

Engine Type _____
 Gasket _____ mm Reducer φ _____
 Plug _____ Fuel _____
 Muffler _____

Diff. Oil
 Front # 10000 O-Ring 0 pcs. Other _____
 Center # 5000 0 pcs. Other _____
 Rear # 3000 0 pcs. Other _____

Tire
Front Type _____ Foam _____
Rear Type _____ Foam _____

Clutch Clutch shoes Aluminium Stock
 Other _____
 Spring 1.0 mm
 Clutch bell / Spur gear 13T / 46T

Result
 Race time / Lap _____
 Best lap (1Lap) _____

Comments:

